

Features

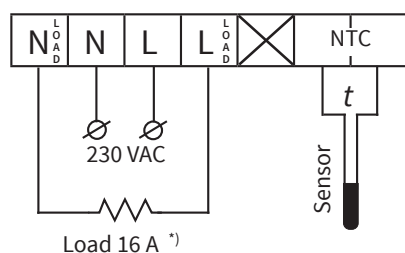
- Digital thermostat in a modern design
- Weekday programming working with 4-events schedule
- Touch display with background lighting
- Clear menu structure for easy programming
- Remote control via Tuya Smart App
- Free App for iOS and Android
- Various operating modes available
- Floor and room sensor for temperature control
- Open window detection mode
- Adaptive control of the heating start for maximum energy efficiency

Description

The MCS 750 is a digital, programmable Wi-Fi touch thermostat intended to control electrical underfloor heating systems indoors. It allows remote control of the heating system via Wi-Fi (network standards IEEE 802.11. b/g/n 2.4 GHz), using the free Tuya Smart App available for iOS and Android. Of course, programming is also possible directly at the thermostat. Thanks to the clear menu structure and the touch display, handling of the device is same user-friendly as well as adding to Tuya Smart app with the help of Bluetooth.

The MCS 750 provides different operating modes for heating control. Week programming with a 4-events heating schedule allows heating control according to the user's daily routine. The thermostat automatically regulates the heating 24/7 to the selected temperature within set periods of time (events). Heating control is either possible with floor sensor (included in the scope of delivery) or room sensor (built-in). Intelligent adaptive control of the heating start (self-learning) and open window detection contribute to an energy efficient operation of the heating system. With simple reset function, the thermostat can be easily reset to the factory settings. The MCS 750 is available in white and black.

Terminal block layout



Design



Technical data

Thermostat MCS 750

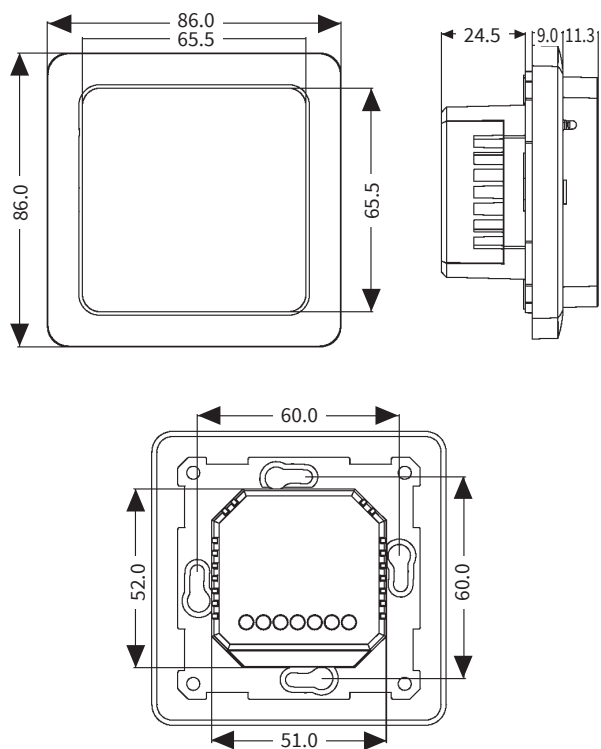
Supply voltage	230 VAC, 50 Hz
Maximum load current	16 A ^{*)}
Power consumption	< 2 W
Weight	140 g
Dimensions	86x86x48 mm
IP protection class	IP21
Appliance class	II
Floor temperature sensor	NTC 10 kΩ
Sensor installation wire length	3 m
Permissible ambient air temperature range	+5 ... +55 °C
Permissible relative air humidity	60 % (non-condensing)
Temperature setting range	+5 ... +40 °C
Wi-Fi network standards supported	IEEE 802.11. b/g/n 2.4 GHz
Other floor temperature sensor types supported	12 kΩhm
Color	White or black
Mounting type	in-wall
Certifications	CE ENEC ERP RoHS

^{*)} In order to keep the thermal impact on the relevant device components low in the event of improper use under continuous load and to achieve maximum service life, it is recommended to switch (connect) a maximum load current of 13 A.



Floor temperature sensor NTC 10 kΩhm

Temperature [°C]	Resistance [kΩ]	Temperature [°C]	Resistance [kΩ]
10	19.46 - 20.11	21	11.82 - 12.09
11	18.65 - 19.27	22	11.30 - 11.55
12	17.80 - 18.37	23	10.81 - 11.04
13	17.00 - 17.52	24	10.35 - 10.56
14	16.23 - 16.71	25	9.90 - 10.10
15	15.50 - 15.95	26	9.47 - 9.66
16	14.81 - 15.22	27	9.06 - 9.25
17	14.15 - 14.53	28	8.67 - 8.86
18	13.52 - 13.87	29	8.30 - 8.49
19	12.92 - 13.25	30	7.95 - 8.14
20	12.36 - 12.65	31	7.61 - 7.80

Dimensions



Order information

	Colour	Order information
	White	MCS 750 white
	Black	MCS 750 black

Installation

Installation of the thermostat and the heating system requires to use the services of qualified specialists. The electrical connection and connection to the power supply must be performed by a professional electrician. Applicable national laws, rules and regulations as well as the installation instructions must be observed. The manual and wiring diagram do not replace the professional skills of the device installer.

The floor temperature sensor cable has to be placed into a separate conduit. It should be placed at heating level directly underneath the heating mat by chiselling out a channel in the subfloor. The sensor should be centrally positioned between two heating conductors, which is in the middle of a cable loop. The thermostat needs to be installed using electrical plastic wall mounting box with suitable screw spacing of 60 mm. If two or more heating mats are to be connected and controlled with one thermostat, a separate intermediate junction box is required.